

### Dimplex Convector Heaters

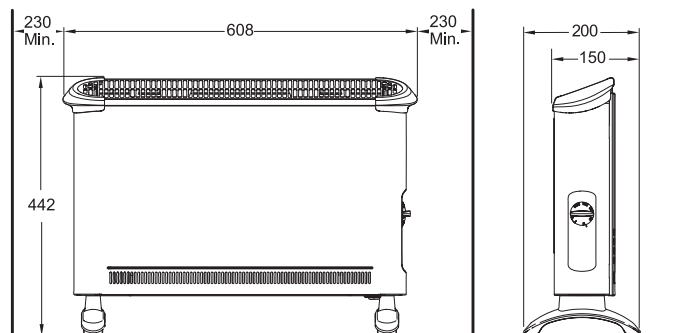
08/54552/0 Issue 0

Models : DESC2TN, 402TSF

#### Dimensions (Millimetres)

#### Models Specification

DESC2TN	2.0kw	Thermostat,
402TSF	2.0kw	Thermostat & 2 heat settings, Turbo & Neon.



**IMPORTANT :** THESE INSTRUCTIONS SHOULD BE READ CAREFULLY AND RETAINED FOR FUTURE REFERENCE

### Important Safety Advice

**WARNING:** To avoid danger of suffocation please remove all packaging materials particularly plastic and EPS and keep these away from vulnerable people, children and babies.

**IMPORTANT:** The heater should only be used on a horizontal and stable surface with the feet securely fitted.

This appliance is not intended for use by persons (including children) with reduced physical, sensory or mental capabilities, or lack of experience and knowledge, unless they have been given supervision or instruction concerning use of the appliance by a person responsible for their safety.

Children should be supervised to ensure that they do not play with the appliance.

**DO NOT** route cord under furniture or appliances. Take care to position the cord away from traffic areas and where it will not be a tripping hazard.

**WARNING:** To avoid the risk of accidental strangulation from the supply cord all children and vulnerable people must be supervised when in the vicinity of the product whether it is working or not.

**WARNING:** This heater must not be located immediately below a fixed socket outlet.



The heater carries a warning symbol to alert the user to the risk of fire that exists if the heater is accidentally covered.

**WARNING:** In order to avoid overheating do not cover the heater.

**WARNING:** This appliance must not be used in a bathroom.

**DO NOT** use the heater if it has been dropped.

**DO NOT** use the heater if there are any visible signs of damage.

**WARNING:** Do not use this heater in the immediate surroundings of a bath, a shower or a swimming pool.

**WARNING:** In order to avoid a hazard due to inadvertent resetting of the thermal cut-out, this appliance must not be supplied through an external switching device, such as a timer, or connected to a circuit that is regularly switched on and off by the utility.

**IMPORTANT:** Avoid use of an extension cord because the extension cord may overheat and cause risk of fire.

**CAUTION:** Some parts of this product can become very hot and cause burns. Particular attention has to be given where children and vulnerable people are present.

**WARNING:** Do not use the heater in small rooms when they are occupied by persons who are not capable of leaving the room on their own, unless constant supervision is provided.

**WARNING:** To reduce the risk of fire, keep textiles, curtains or any other flammable material a minimum distance of 1m from the air outlet.

**IMPORTANT:** If the mains lead is damaged, it must be replaced by the manufacturer or its service agent or a similarly qualified person in order to avoid a hazard.

## Electrical Connection

### WARNING – THIS APPLIANCE MUST BE EARTHED

This heater must be used on an A.C. ~ supply only and the voltage marked on the heater must correspond to the supply voltage.

The use of an extension lead or multi-plug adaptor is not advised when connecting this product to the mains. Connection through these devices could lead to a risk of overloading, overheating and even fire at the extension lead or adaptor due to inadequate connection quality.

## Using the heater

### WARNING: DO NOT USE THE HEATER UNTIL THE FEET ARE FITTED CORRECTLY.

The product can be used as an installed or portable unit. Once the desired application has been decided upon and the requirements below have been met the product is ready to be used. Simply plug in and switch on at the wall socket.

Please note – the element has been coated with a protective film which will burn off during the first few minutes of use and may cause a small amount of fuming. This is quite normal – the fumes are non-toxic and will quickly disappear.

We recommend that you open a window to ventilate the room when using the heater for the first time.

## Positioning the heater

Always ensure that the heater is stood on a firm, level base near to, but not directly beneath, a suitable mains supply socket.

Ensure that curtains and furniture are not positioned close to the chosen position, as this would create a potential fire hazard.

### WARNING: THE HEATER SHOULD NEVER BE USED AS A PORTABLE APPLIANCE WITHOUT THE FEET SECURELY FITTED.

Lay the heater on its back, locate and remove the foot fixing screw - see **Fig. 2(a)**. Clip the foot in place and secure using the foot fixing screw - see **Fig. 2(b)**.

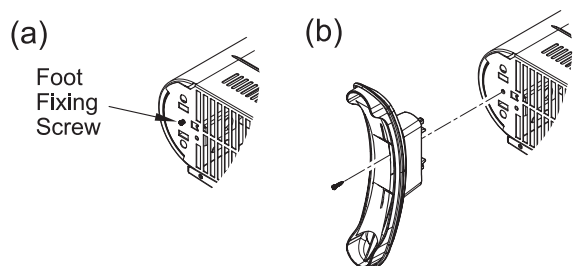


Fig. 2

## Controls

**NOTE: When using the appliance or setting appliance controls always ensure that the heater is stood on a firm level base. Do not tilt the appliance at any time.**

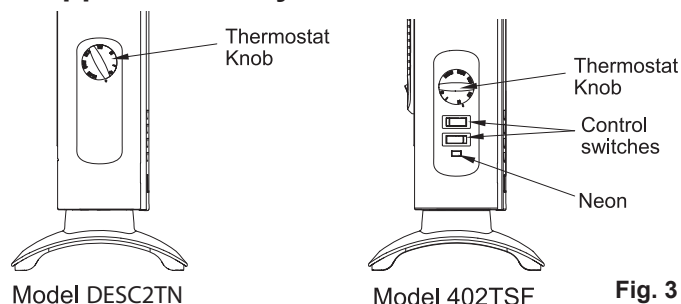


Fig. 3

### Indicator Neon (selected models)

The indicator neon comes on when the appliance is connected to mains supply.

### Thermostat (all models)

The thermostat controls the heat output according to the room temperature. This ensures that the heater will not produce heat unnecessarily when the room is warm.

To set the temperature you require, Gradually turn the thermostat knob clockwise until the desired temperature is reached. Allow some time between increments for the room temperature to stabilise.

Alternatively to heat a cold room quickly, turn the thermostat knob to the Max position. When the room has reached the desired temperature, turn the thermostat knob anti-clockwise until the thermostat clicks off. The heater will then automatically maintain this room temperature.

The thermostat also has a frost protection setting marked '❄'. This setting is useful in areas such as garages to prevent frost damage. If the thermostat is set to its minimum setting '❄', the heater will cycle ON and OFF to maintain a temperature of approximately 5°C to help protect against frosty conditions.

### Switches (selected models)

Selected models are supplied with selector switches. There are two switch types, one is an on/off switch and the other is a heat selection switch. Depending on model either one or both switch may be included. The switch operation is as follows.

On/Off:	<b>O</b>	-	Off
	<b>I</b>	-	On
Heat selection	<b>I</b>	-	Low heat
	<b>II</b>	-	High heat

## Turbo fan(selected models)

The turbo fan is used to boost the airflow around the room. This circulates the heat better and results in a reduced heat up time and a more even heat distribution. The turbo fan is controlled by the neon switch on the front of the product.

The turbo can be turned on independently of the heat, however the fan will switch on and off under the control of the thermostat.

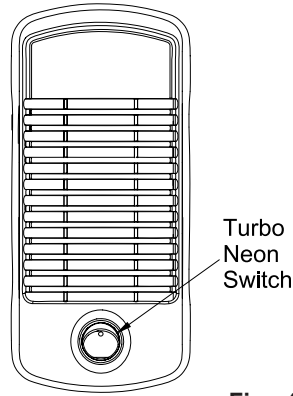


Fig. 4

Note: On selected models in warm weather the fan can be used to circulate cool air. Once the heat selection switches are in the off position and the thermostat is set to 'Max' the fan will continue to function to circulate cool air.

## Safety – overheat protection

For your safety, this appliance is fitted with a thermal cut-out. In the event that the product overheats, the cut-out switches the heater off automatically.

To bring the heater back into operation, remove the cause of the overheating, then unplug or turn off the electrical supply to the heater for a few minutes. When the heater has cooled sufficiently, re-connect and switch on the heater.

## Important Notes

Although this heater is manufactured to comply with the relevant safety standards, certain types of carpets could become discoloured by the temperatures under a portable heater. If you are concerned about this, we recommend that you contact the carpet manufacturer for guidance. Alternatively, stand the heater on a suitable base to shield the carpet or wall-mount it – call our Helpline for further advice. You may notice some parts of the element appearing to be hotter from time to time because of the variable airflow through the heater. This does not cause a safety hazard.

The heat outlet grille may become discoloured with use – this is caused by airborne pollution and is not a fault.

## Recycling



Do not dispose of electrical appliances as unsorted municipal waste. Use separate collection facilities. Contact your local government for information regarding the collection systems available. If electrical appliances are disposed of in landfills or dumps, hazardous substances can leak into the ground water, polluting the food chain and damaging health and well-being.

## Cleaning

**WARNING – ALWAYS DISCONNECT FROM THE POWER SUPPLY BEFORE CLEANING THE HEATER.**

Before commencing cleaning, switch off the heater and allow it to cool. Disconnect the electricity supply to the appliance.

The outside can be cleaned by wiping it over with a soft damp cloth and then dried. Do not use abrasive cleaning powders or furniture polish, as this can damage the surface finish.

## After Sales Service

Please refer to the warranty card in the box for warranty information. For any troubleshooting advice, please contact the relative Customer Care Centre below.

### Glen Dimplex Australia Pty Ltd

1340 Ferntree Gully Road,  
Scoresby 3179, Victoria  
Australia  
Ph: 1300 556 816

### Glen Dimplex New Zealand Ltd

38 Harris Road, East Tamaki,  
Auckland 2013  
New Zealand  
Ph: 0800 666 2824

